



Syphons

SY Series

Syphons

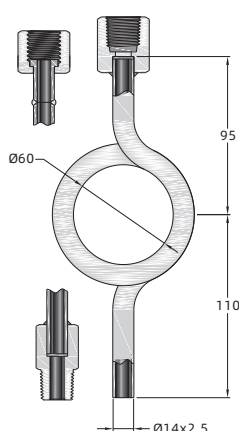
SY1,SY2 Series

Features

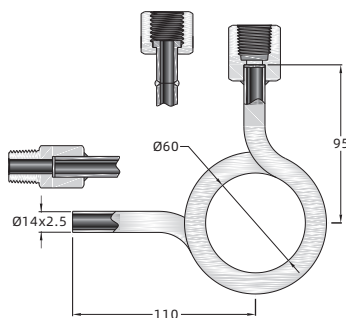
- ❖ Maximum working pressure up to 6000 psig (413 bar)
- ❖ Working temperature from -20°F to 900°F (-28°C to 482°C)
- ❖ Variety of end connections
- ❖ 316 S.S. , 316L S.S. , 304 S.S. and 304L S.S. material

Dimensions

SY1 Series



SY2 Series



End Types and Size		Basic Ordering Number	
End 1	End 2	SY1 Series	SY2 Series
1/2" Female NPT	1/2" Female NPT	FNPT8-SY1-FNPT8-	FNPT8-SY2-FNPT8-
1/2" Female NPT	1/4" Female NPT	FNPT8-SY1-FNPT4-	FNPT8-SY2-FNPT4-
1/2" Female NPT	1/2" Female BSPP	FNPT8-SY1-FBP8-	FNPT8-SY2-FBP8-
1/2" Female NPT	1/4" Female BSPP	FNPT8-SY1-FBP4-	FNPT8-SY2-FBP4-
1/2" Female NPT	M20 x 1.5 Female ISO	FNPT8-SY1-FMS20-	FNPT8-SY2-FMS20-
1/2" Female NPT	M14 x 1.5 Female ISO	FNPT8-SY1-FMS14-	FNPT8-SY2-FMS14-
1/2" Female NPT	1/2" Tube Socket Weld	FNPT8-SY1-FSW8-	FNPT8-SY2-FSW8-
1/2" Female NPT	14 mm Tube Socket Weld	FNPT8-SY1-MSW14-	FNPT8-SY2-MSW14-
M20 x 1.5 Female ISO	M20 x 1.5 Female ISO	FMS20-SY1-FMS20-	FMS20-SY2-FMS20-
M20 x 1.5 Female ISO	M14 x 1.5 Female ISO	FMS20-SY1-FMS14-	FMS20-SY2-FMS14-
M20 x 1.5 Female ISO	Ø14x2.5mm Tube Butt Weld	FMS20-SY1-MBW14x2.5-	FMS20-SY2-MBW14x2.5-
1/2" Female BSPT	M20 x 1.5 Female ISO	FBT8-SY1-FMS20-	FBT8-SY2-FMS20-
1/2" Female BSPP	M14 x 1.5 Female ISO	FBP8-SY1-FMS14-	FBP8-SY2-FMS14-
1/2" Female BSPP	Ø14x2.5mm Tube Butt Weld	FBP8-SY1-MBW14x2.5-	FBP8-SY2-MBW14x2.5-
Ø14x2.5mm Tube Butt Weld	Ø14x2.5mm Tube Butt Weld	MBW14x2.5-SY1-MBW14x2.5-	MBW14x2.5-SY2-MBW14x2.5-
1/2" Male NPT	1/2" Male NPT	NPT8-SY1-NPT8-	NPT8-SY2-NPT8-
1/2" Male NPT	1/4" Female NPT	NPT8-SY1-FNPT4-	NPT8-SY2-FNPT4-
1/2" Male BSPP	1/4" Male BSPP	MBP8-SY1-MBP4-	MBP8-SY2-MBP4-
1/2" Male BSPP	1/4" Female BSPP	MBP8-SY1-FBP4-	MBP8-SY2-FBP4-
M20 x 1.5 Male ISO	M20 x 1.5 Female ISO	MS20-SY1-FMS20-	MS20-SY2-FMS20-
M20 x 1.5 Male ISO	M14 x 1.5 Female ISO	MS20-SY1-FMS14-	MS20-SY2-FMS14-
M14 x 1.5 Male ISO	M20 x 1.5 Female ISO	MS14-SY1-FMS20-	MS14-SY2-FMS20-
M14 x 1.5 Male ISO	M14 x 1.5 Female ISO	MS14-SY1-FMS14-	MS14-SY2-FMS14-

How to Order

FNPT8

— SY1 —

FMS20

— 316L

Inlet Type	Inlet Size	Series	Outlet Type	Outlet Size	Body Material
FNPT Female NPT	4 1/4 in.	SY1	Same as inlet type and inlet size		316 316 S.S.
NPT Male NPT	8 1/2 in.	SY2			316L 316L S.S.
FBT Female BSPT	14 14 mm or M14 x 1.5				304 304 S.S.
MBT Male BSPT	20 M20 x 1.5				304L 304L S.S.
FMS Female Metric					
MS Male Metric (for BG)					
FBP Female BSPP					
MBP Male BSPP (for BG)					
FSW Fractional Tube Socket Weld					
MSW Metric Tube Socket Weld					
FBW Fractional Tube Butt Weld					
MBW Metric Tube Butt Weld					